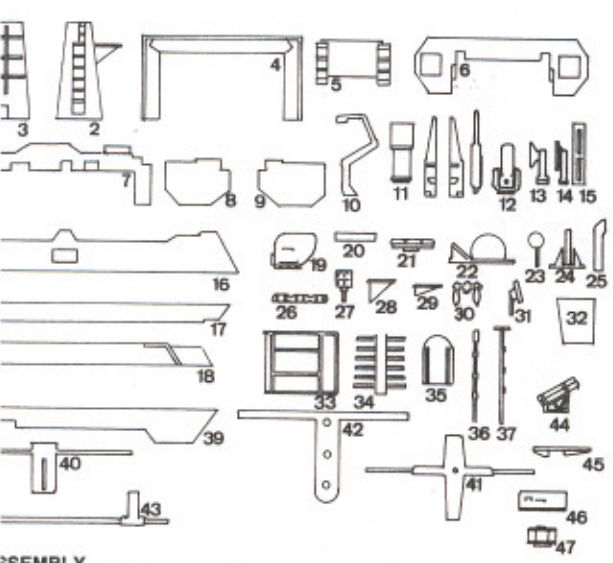
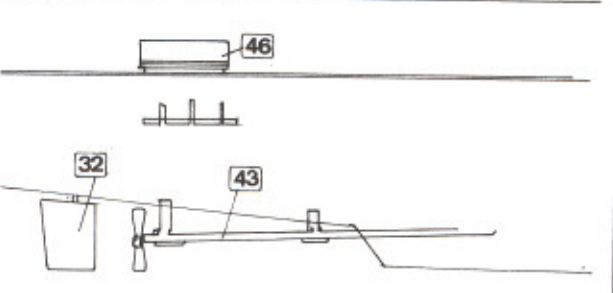


PARTS

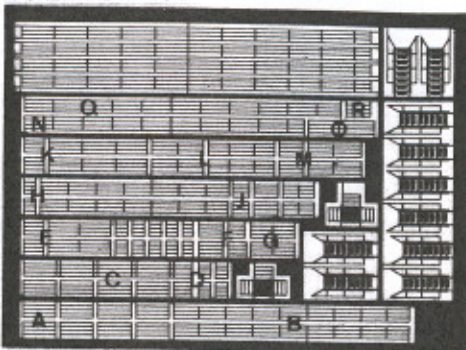


ASSEMBLY

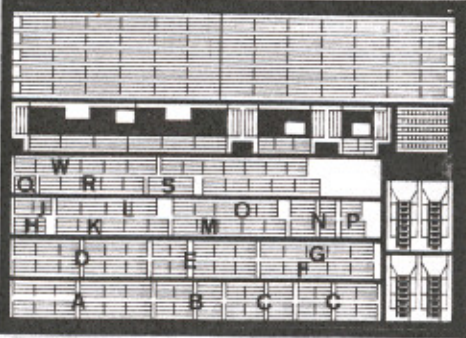


ETCH PARTS

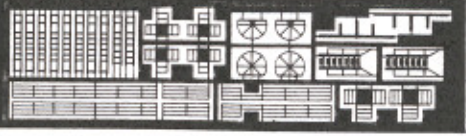
FORWARD BRIDGE



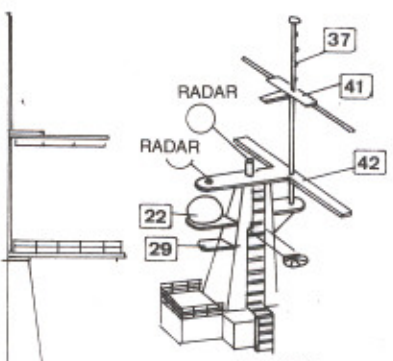
AFT TOWER



MISC. PARTS

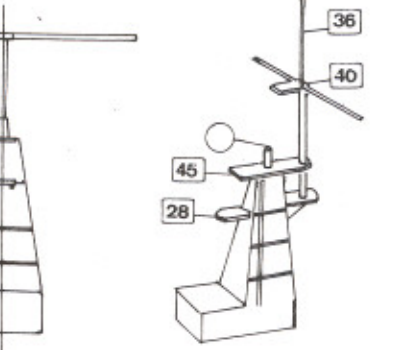


FORWARD MAST



ETCH PART BOTH SIDES
PART ON MISC. PART FRET

AFT MAST



NOTE: TWO BAR RAILINGS TO BE PLACED AROUND PERIMETER OF MAST PLATFORMS



Kit # 4-189

USS Virginia CGN-38

Statistics:

Class: Virginia; *Displacement:* 11,000 tons; *Dimensions:* 585' (oa) x 63' x 31' (Max); 60,000 SHP; 2 G.E. Reactors (D2G), Geared Turbines, 2 screws; *Speed:* 30+ Knots; *Crew:* 39 Officers, 539 Enlisted

Operational and Building Data: *Launched:* September 11, 1974; *Commissioned:* December 14, 1974; *Decommissioned:* November 10, 1994

Armament:

- 2- Mk-26 missile launchers for Standard and ASROC missiles
- 2- Mk-141 missile launchers for Harpoon
- 2- Mk-45 5" 45 cal DP guns
- 2- Mk-15 Phalanx CIWS (20 mm)
- 2- Mk-32 Triple Torpedo Tubes for Mk-46 lightweight torpedoes
- 2- Armored Box Launchers for Tomahawk
- 4- Mk-36 SRBOC chaff rockets

Electronics:

- 1- SPS-48E 3D air search radar
- 1- SPS-49 air search radar
- 1- SPS-10 surface search radar
- 2- SLQ-32 (V3) ECM systems
- 2- SLQ-25 Nixie Torpedo Countermeasure System
- 1- Mk-86 Gunfire Control System

Sources: <http://www.navsources.org/>; <http://www.globalsecurity.org/>

Contact Us: (Replacement parts available for any reason)

Write:

Commanders Series Models Inc.
551 Wegman Rd., Rochester, N.Y. 14624

email:

commanders@frontiernet.net (attn: replacement parts)

Website: www.commandersseries.com

Parts List

- 2.) Aft pagoda (mack)
- 3.) Forward pagoda (mack)
- 4.) Bridge
- 5.) Aft superstructure deck
- 6.) Phalanx deck
- 7.) Signal deck
- 8.) SLQ-32 deck (starboard)
- 9.) SLQ-32 deck (port)
- 10.) Boat davits
- 11.) Mk-26 missile launcher
- 12.) Mk-15 Phalanx CIWS
- 13.) SPG-51 missile directors (x4)
- 14.) Mk-86 Gunfire Control System (GFCS) antenna
- 15.) UNREP posts
- 16.) Aft O-1 level deck (starboard side)
- 17.) Forward O-1 level deck (starboard side)
- 18.) Forward O-1 level deck (port side)
- 19.) Mk-45 5" 54 caliber gun (x2)
- 20.) Support strut
- 21.) Mk-32 triple torpedo tubes (x2)
- 22.) Mk-86 GFCS radome deck
- 23.) Searchlight
- 24.) *(Not used)*
- 25.) Vent
- 26.) Liferaft canisters
- 27.) SATCOM antenna (old version)
- 28.) Aft pagoda deck
- 29.) Forward pagoda deck
- 30.) Anchor
- 31.) SATCOM antenna (new version)
- 32.) Rudder
- 33.) SPS-48 radar antenna
- 34.) SPS-48 radar back
- 35.) Aft pagoda mast base platform
- 36.) Aft pagoda antenna
- 37.) Forward pagoda antenna
- 39.) Aft O-1 level deck (port side)
- 40.) Aft pagoda mast
- 41.) Forward pagoda mast
- 42.) Forward pagoda deck
- 43.) Propeller shaft and struts (x2)
- 44.) Mk-141 Harpoon launchers (x2)
- 45.) Aft pagoda deck
- 46.) Tomahawk box launchers (x2)
- 47.) SLQ-32 ECM boxes (x2)

Step-by-Step Instructions

Forward Mast

- 1 Attach the following to forward pagoda structure (3) as shown:
 - Place deck (42) on top of pagoda
 - Attach deck (22) to front of pagoda
 - Attach deck (29) to front of pagoda beneath Mk-86 GFCS radome deck (22)
 - Insert pole mast/deck assembly (41) into slot so that mast rests on lower deck
 - Place TACAN mast (37) on top of previous deck as shown
 - Attach photoetched antennae as shown to both sides of pagoda
- 2 Radars:
 - Make SPS-48 planar radar and place onto higher stub on platform 42
 - Make SPS-10 surface search radar and place as indicated in front of SPS-48 on platform 42

Aft Mast

- 1 Part 2 is the aft pagoda. **Note-** deckhouse extension should face aft as shown
- 2 Attach deck (28) to rear of pagoda
- 3 Attach deck (35) to forward side of pagoda (pole mast will eventually rest on this deck)
- 4 Attach deck (45) to top of pagoda (rounded side faces forward)
- 5 Place pole mast/deck (40) into hole such that the base of the pole sits on lower deck
- 6 Place electronics antenna (36) on top of platform
- 7 Make SPS-49 radar (late) or SPS-40 radar (early) and place on pedestal as indicated

O-1 Level Deck Placement

Four decks (16, 17, 18, and 39) fit around the superstructure as shown in drawings. They sit one level above the main deck on the O-1 level.

- 1 Decks 17 and 18 fit alongside the superstructure **forward**. (17= starboard
18= port)
- 2 Decks 39 and 16 fit alongside the superstructure **aft** (16 = starboard
39 = port)

Upper Superstructure Deck Placement

Four decks (6, 7, 8, and 9) fit around the forward upper superstructure.

- 1 Deck 7 is the lowest (signal bridge) and fits around the back side
- 2 Deck 8 (starboard) and Deck 9 (port) are one level up. Place SLQ-32 ECM box antennae (47) on these decks (one on each)
- 3 Deck 6 is the highest level and wraps around the back side of the superstructure. Place the Phalanx mounts (12) on the pedestals as indicated

Superstructure Details

- 1 Place boat davits (10) into slots in bulwarks on sides of ship (2 sets per side)
- 2 Put bridge (4) into slot on front of superstructure
- 3 Place completed pagoda sub-assemblies in positions as indicated, fore and aft
- 4 Place SPG-51 antennae (13) in positions shown, 2 aft
- 5 Put Mk-86 antenna (14) on pedestal on top of bridge
- 6 Place Mk-45 5" guns (19) in base rings fore and aft of superstructure
- 7 Place Mk-32 torpedo tubes (21) in position shown (1 port and 1 starboard)
- 8 Place Harpoon launchers (44) in front of bridge **Note-** they should be crisscrossed- the forward launcher faces out to port, the rear launcher to starboard
- 9 On each side of the forward superstructure, attach three rows of three life rafts (26) as shown. Use p.e. part "T" as mounts

Stern/Miscellaneous

- 1 Place rudders (32) and propeller shafts (43) as shown
- 2 Place Tomahawk launchers (46) side by side on stern
- 3 Place Mk-26 missile launchers on base rings forward and aft. **Note-** the missile launchers are farthest fore and aft....the guns are closer in to the superstructure

Railings and Ladders

- 1 Attach per lettered diagrams